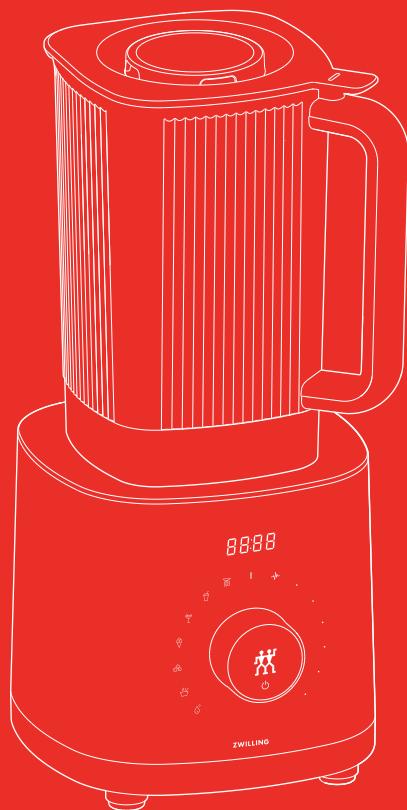




ZWILLING



Operating instructions 2

---

**ZWILLING® ENFINIGY**

53100-300 | 1016107

---

## Safety

Read these operating instructions in their entirety and with care before using the blender. Keep these operating instructions in a safe place. If you transfer the blender to a third party, ensure that you include the operating instructions in such a transfer.

Non-observance of these operating instructions can lead to serious injury or damage

### Safety information

The blender (hereinafter referred to as the "appliance") is intended exclusively for crushing and mixing ingredients for beverages, liquid foods (dips, soups, sauces, pesto, ice cream) and ice cubes. It may only be used with the accessories supplied or approved by Zwilling.

Any other use is considered improper and may result in personal injury or property damage.

Do not put any hot fats, oils, or objects in the appliance.

The appliance is intended for domestic use. It is not intended for commercial use.

Certain persons are at greater risk:

This appliance may be used by children 8 years of age and older and by persons with reduced physical, sensory or mental capacity or with a lack of experience and knowledge, if such children and persons are supervised or have been instructed in the safe use of the appliance and under-

to the appliance. Zwilling does not accept any liability for damage caused by non-observance of these operating instructions.

Important information for your safety is specifically marked. Make sure to observe this information in order to avoid accidents and damage to the appliance:

stand the hazards resulting from using the appliance.

Children are not allowed to play with the appliance. Cleaning and maintenance must not be carried out by children without supervision.

Keep the appliance and its power cord in an a location that is not accessible to children under 8 years old.

Keep children away from the packaging material. It poses a risk of suffocation.

The appliance is operated with electric current. There is therefore a danger of electric shock:

Only plug the appliance into a correctly installed socket.

Only operate the appliance if the voltage stated on the rating plate matches the voltage of your socket.

Make sure that the power cord is not kinked or pinched and make sure that the power cord and the appliance do not come in contact with sources of

heat (e.g. hobs, gas flames).

When unplugging the power plug from the socket, always unplug the power plug directly. Do not carry the appliance by the power cord.

Never touch the power plug with wet hands.

Do not insert any objects into the openings on the appliance.

As long as the power plug is plugged in, there is a voltage inside the appliance, even if the appliance is switched off.

After every use and in the event of danger or a defect, unplug the power plug from the socket immediately.

For this reason, keep the socket into which the appliance's power plug is plugged easily accessible at all times.

Unplug the appliance from the socket prior to cleaning or maintenance.

Never unscrew the appliance and do not make any technical modifications.

The sharp and rotating blade poses a serious risk of injury:

In the absence of supervision, disconnect the power plug prior to assembly, disassembly and cleaning.

Be very careful when filling, emptying and cleaning the blender bowl, and do not reach into the blades.

Poor hygiene is a health hazard:

Do not leave any food in the blender bowl if you are not using the appliance.

Clean the appliance and all acces-

sories thoroughly prior to first use and immediately after every use.

A faulty appliance can cause damage and injuries:

Check the appliance for damage prior to each use. If you detect any transport damage, contact the dealer from whom you purchased the appliance immediately. Never use a faulty appliance or faulty accessories. Never operate an appliance or accessories that have been dropped.

The appliance needs to be repaired in the event of a fault or a damaged power cord. The appliance does not contain any parts that you are able to repair yourself.

Damage may occur if the appliance is handled incorrectly.

Place the appliance on a dry, level and non-slip surface.

Do not place the appliance on a hot surface or in the vicinity of strong sources of heat.

Do not let the power cord hang down.

When preparing food and drinks, liquid may spray or flow out and cause injury or property damage:

Always place the blender bowl on a level, non-slip surface.

Never overfill the blender bowl.

Do not open the lid closure during operation.

Never use the blender bowl to heat up food or drink in the microwave.

## Explanation of symbols



Danger of death due to electric shock



Danger of cuts at the blades



Danger of scalding from hot liquids



Risk of property damage and damage to the appliance

## Technical data

Power supply 220 – 240 V~, 50–60 Hz

Energy consumption/Power 1200 W

Capacity of the blender bowl 1.8 l

Length of the power cord 1 m

Battery for the tamper Lithium battery CR2032

Dimensions of the blender base with bowl (L x W x H) 194 x 214 x 426 mm

Weight approx. 5.6 kg



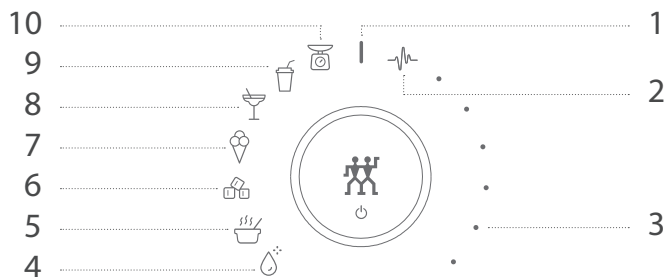
Do not dispose of in household waste.

Markings



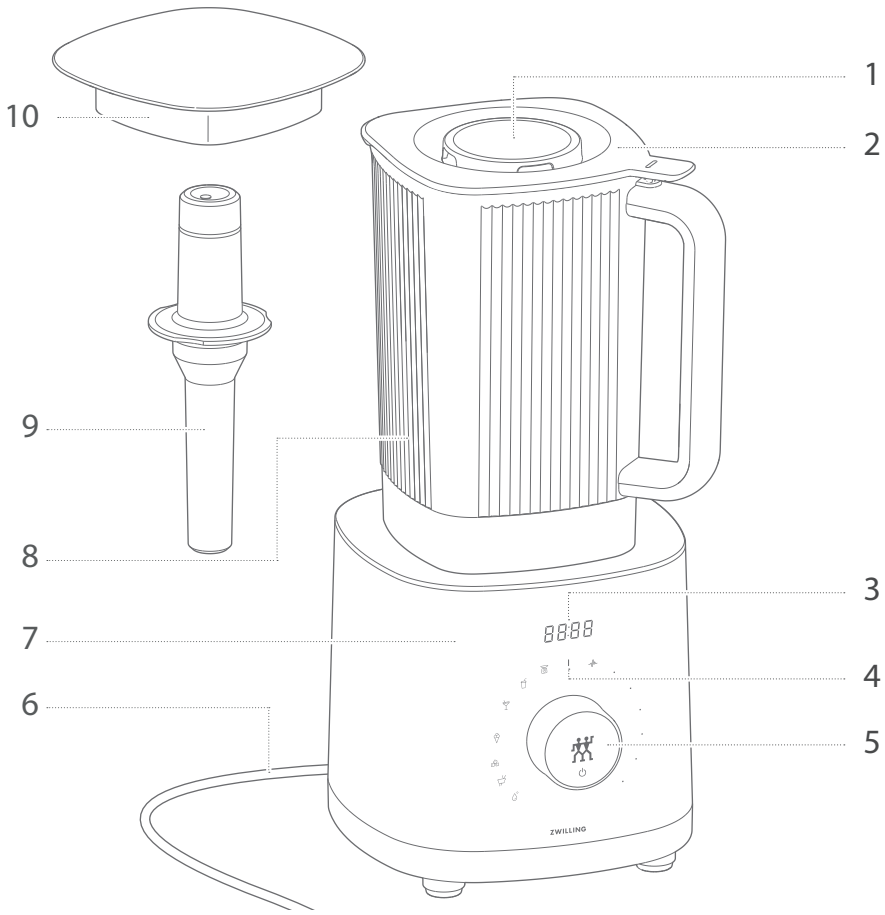
The appliance complies with the directives for CE marking.

## Program functions



<b>1</b> On/Off	<b>6</b> Ice cube crushing – Chopping ice cubes into ice pieces
<b>2</b> Multi-function (pulse) – Post-mixing or pre-mixing of mixed products or individual ingredients	<b>7</b> Ice –Creamy ice cream dish composed of frozen fruit, yoghurt, ice cream
<b>3</b> Variable speed – Mixture with desired consistency from lumpy to liquid	<b>8</b> Cocktails – Liquid mixed drink composed of spirits, juices, syrup
<b>4</b> Cleaning – Cleaning of the blender bowl with water and detergent	<b>9</b> Smoothie – Creamy mixed drink made from fruits, herbs and dairy products
<b>5</b> Soup – Liquid mixture composed of vegetables, meat, fish, broth, spices, herbs	<b>10</b> Scales – Weighing of ingredients in the blender bowl

# Overview

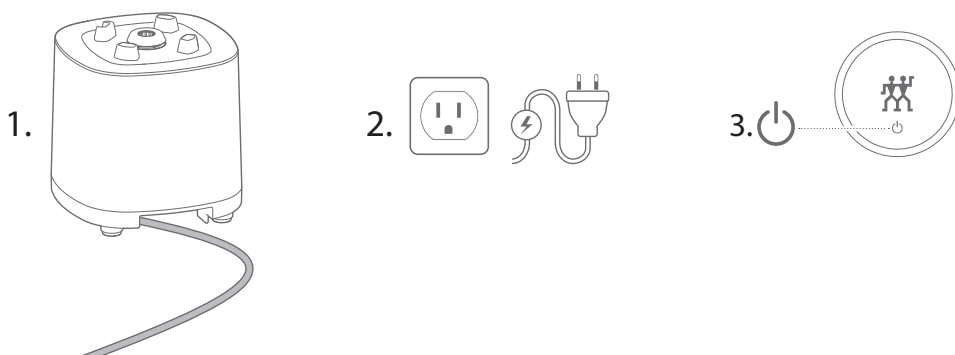


<b>1</b> Lid closure	<b>6</b> Power cord
<b>2</b> Blender lid	<b>7</b> Blender base
<b>3</b> Display	<b>8</b> Blender bowl with blade
<b>4</b> Program symbols	<b>9</b> Tamper with temperature display
<b>5</b> Selector switch / power button	<b>10</b> Scales

# Operation

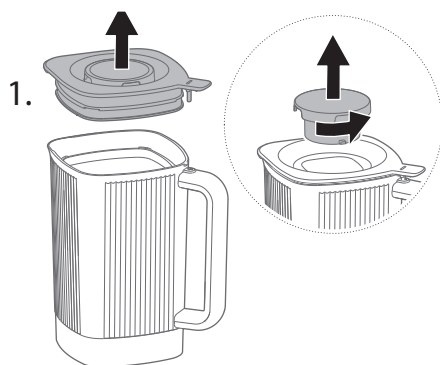
## 1 Putting the blender into operation

Prior to commissioning, you must unwind the power cord completely. You need to press the power button to switch the blender on and off.




## 2 Filling with ingredients

To fill with ingredients, you need to place the blender bowl on a flat surface and remove the lid or unscrew the lid closure. A measuring scale for the filling quantity is attached to the blender bowl.

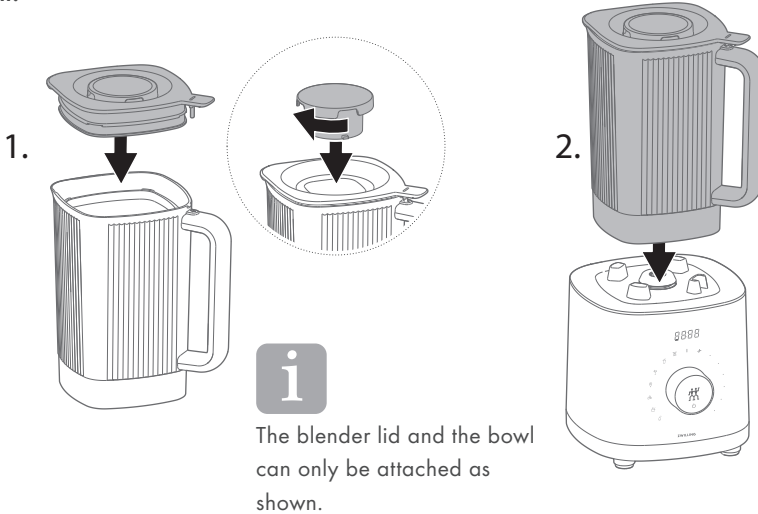


Observe the maximum mark. Do not over-fill. For hot ingredients, observe a maximum filling quantity of 1,200 ml.

	ml	fl.oz	
2.	MAX	MAX	
	— 1800	64	— 8
	—	—	—
	— 1600	—	—
	—	—	—
	— 1400	48	— 6

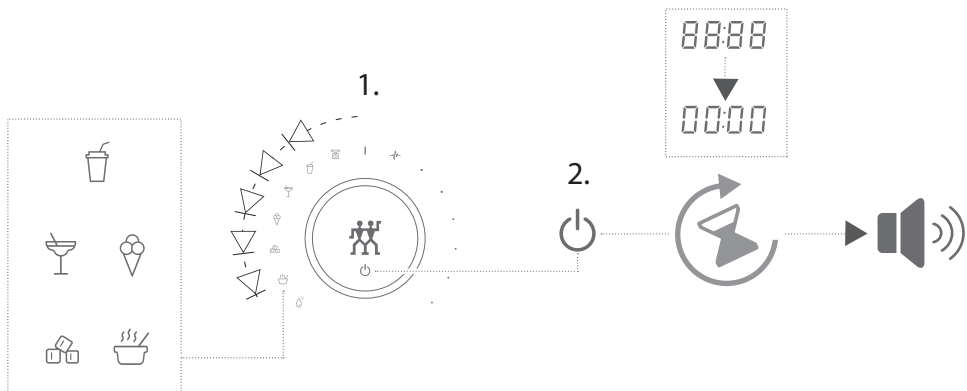
**3** Putting the blender bowl on the base

Before you put on the blender bowl, you must first seal the bowl with the lid and the lid closure and then place the bowl on the base so that the handle of the bowl faces the front right.



**4** Preparing a beverage or liquid food using the automatic program

To prepare the desired mixed drink or liquid food, turn the selector switch to the left to the corresponding program symbol and then press the power button. The preparation duration is shown in the display. The mixing process is complete when the time in the display has counted down and a beep sounds.





## 5 Interrupting the automatic program

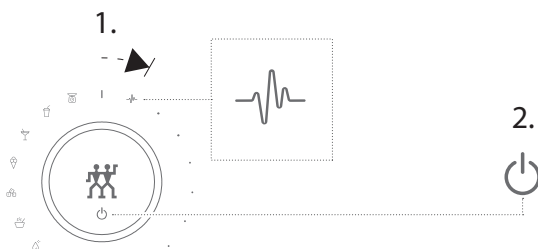
You need to press the power button to stop the mixing process. A beep sounds. You can continue the mixing process by pressing the power button again if the desired consistency has not yet been achieved.



If the mixing process has been interrupted, you can also remove the blender bowl from the base to refill ingredients, press down with the tamper or check the consistency.

## 6 Using the multi-function program

To prepare any mixed drinks and liquid foods, turn the selector switch to the right to the "Multi-function" program symbol and press and hold the power button until the desired consistency of the product is achieved. The mixing time that has elapsed is shown in the display. The mixing process stops if you let go of the power button.

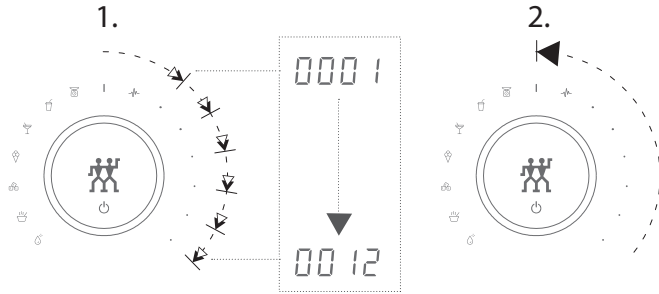


**7** Preparing products at your own mixing speed

To select a mixing speed, turn the selector switch to the right until the blender starts up and reaches the desired speed. Once the desired consistency of the product has been achieved, turn the selector switch back to the on/off position.

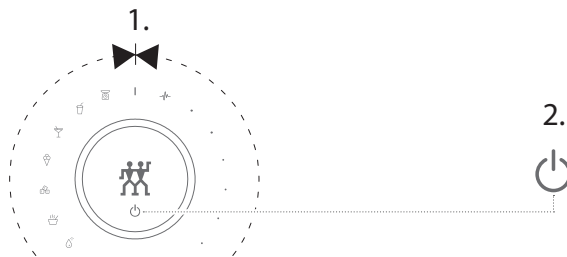


The selected mixing speed is shown on the display and by means of six dots.



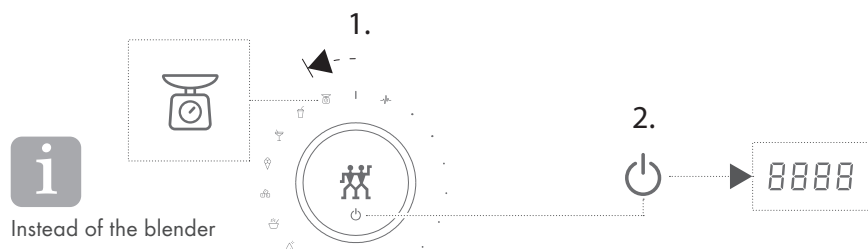
**8** Switching off

To switch off the blender, turn the selector switch back to the on/off position and press the power button.



## 9 Weighing the contents of the blender bowl

To weigh the contents of the blender bowl, you need to turn the selector switch to the left to the scales program symbol. The weight of the ingredients that have been filled is shown on the display. To weigh further ingredients, you can press the power button again and weigh the ingredients that have been added individually (tare function).



Instead of the blender bowl, you can also place the scales on the blender base for weighing.

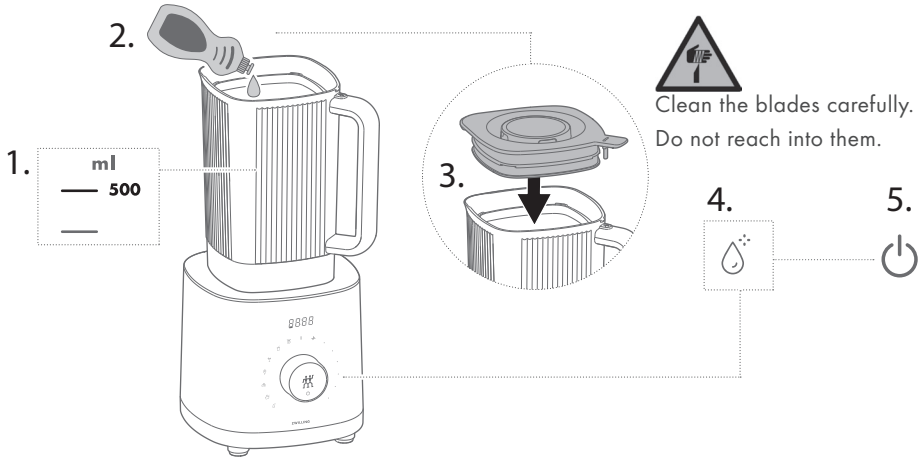


If you hold down the power button, you can change the display from grams to ounces.

# Maintenance

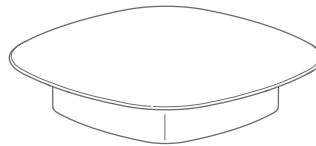
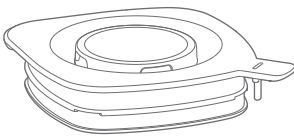
## 1 Cleaning the blender bowl

To clean the blender bowl, fill the bowl with 500 ml of water, add some detergent and start the cleaning program. Then rinse out the blender bowl under running water.



## 2 Cleaning the blender lid and scales

You can clean the blender lid and the scales under running water, with a damp, lint-free cloth or in the dishwasher.

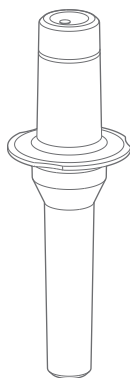
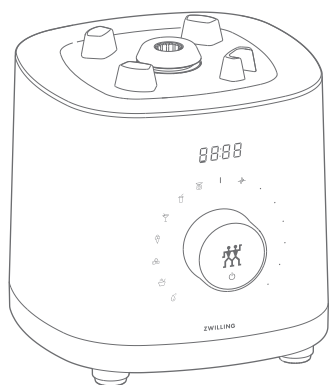


It is best to clean the blender lid and the lid closure separately.



### 3 Cleaning the blender base and tamper

You can clean the blender base and the tamper with a damp, lint-free cloth.

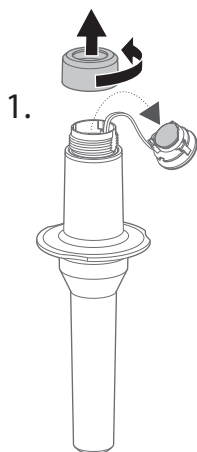


Prior to cleaning, unplug the power plug.

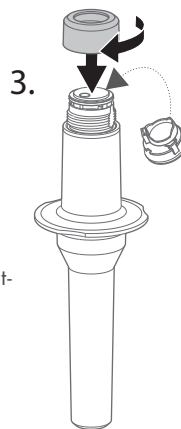


## Changing the battery

The tamper contains a battery. To change the battery, you need to unscrew the battery cover, remove the electronics and replace the old battery.



The battery must be inserted correctly: the top (+) faces outwards.



## Fault

Problem	Possible cause	Remedy
The mixed product contains many ingredient pieces.	The power button was not pressed and held for long enough in the multi-function program.	Press and hold the power button until the desired consistency is reached.
	The mixing speed is too low or the mixing duration too short if you have selected the mixing speed yourself.	If you have selected the mixing speed yourself, turn the selector switch further to the right to increase the mixing speed, or extend the mixing process until the desired consistency is reached.
	The ingredients are not suitable for the selected automatic program to be used.	Finish mixing the mixed product with the multi-function program until the desired consistency is achieved.
The appliance switches off immediately.	The power button was not pressed and held in the multi-function program.	Press and hold the power button.
Liquid runs out of the blender bowl.	The blender lid, the lid closure or both parts are not attached correctly.	Attach the blender lid correctly and seal it with the lid closure.
	The seal of the blender lid is broken.	The seal must be exchanged by customer service.
	The blender bowl is over-filled.	Reduce the number of ingredients or the quantity.
A program symbol, the display and the power button are flashing.	An automatic program has been interrupted. The flashing indicates the interruption.	Press the power button again to continue the automatic program.

Problem	Possible cause	Remedy
All program symbols and the display on the blender base are flashing and three beeps sound.	The blender bowl and the lid have been removed during operation.	Reattach the blender bowl or lid and continue as desired.
	The motor has overheated.	Put the selector switch in the on/off position, unplug the appliance and wait 30 minutes.
It is not possible to start the mixing process.	The blender bowl or the lid is not attached correctly.	Place the blender bowl on the base with the handle facing to the right or front or attach the lid correctly.
	The blender has been stopped and the selector switch has been moved with the lid open.	Put the selector switch in the on/off position, press the power button and then switch the appliance back on.
The tamper does not display any temperature.	The battery for the tamper is empty.	Change the battery.

## Customer service

Please contact our customer service should you encounter any problems with your blender.

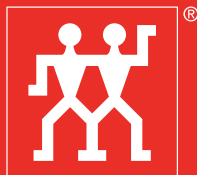
Detailed information on service, repairs, warranty and product registration can be found at [www.zwilling.com/service](http://www.zwilling.com/service).

## Disposal

With regard to disposal, please return your old appliance to a collection point for electrical appliances.

Dispose of the battery for the tamper at a collection point for batteries.





**ZWILLING**

**ZWILLING J.A. Henckels AG**  
[www.zwilling.com/co](http://www.zwilling.com/co)